

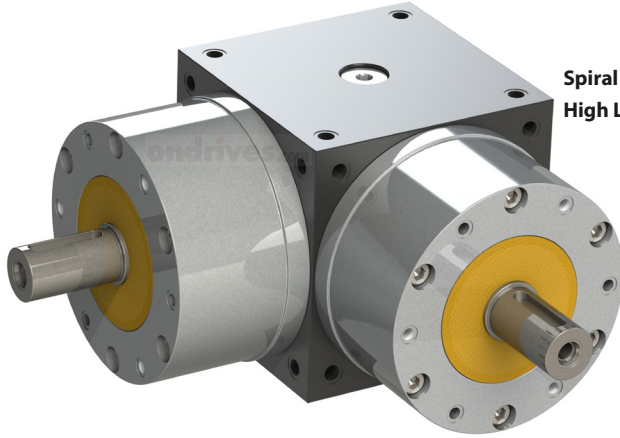
SBC-110-K

# ondrives

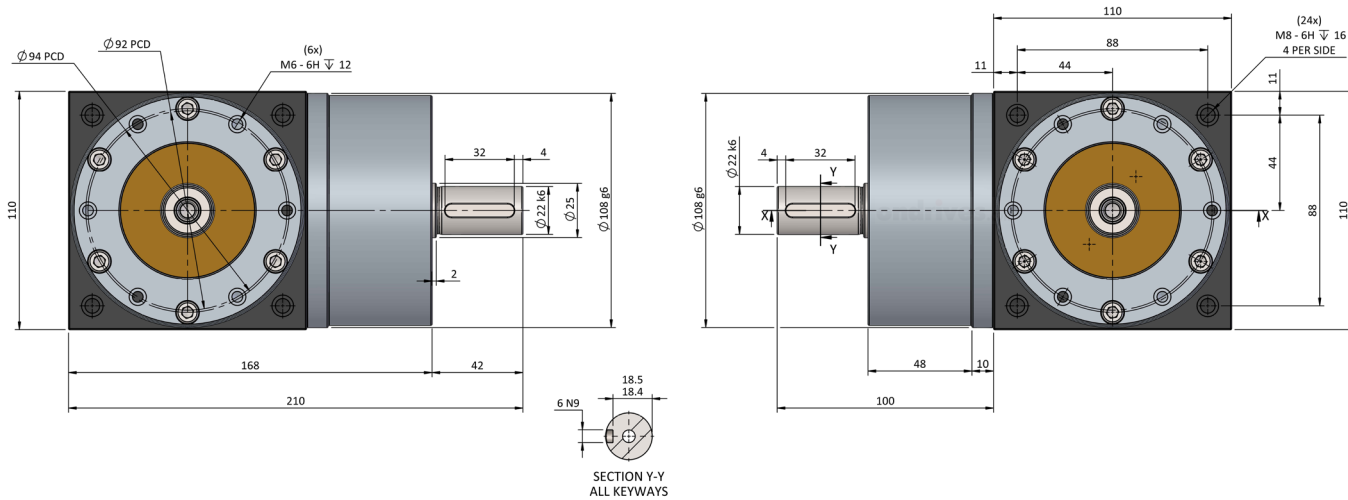
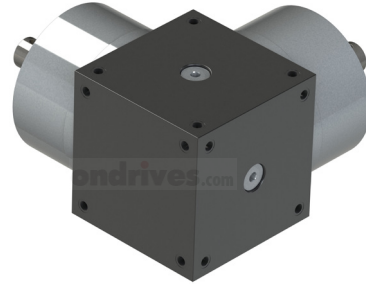
Precision Gears

## Spiral Bevel 110mm Cube Gearboxes

22mm Input Shaft • 22mm Single Output Shaft •  $T_{2max}$  150Nm • 1:1



**Spiral Bevel Cube** - Ground Spiral Bevel Teeth - Optimized tooth contact TCA.  
**High Load Capacity** - Taper roller bearing design in high strength aluminium housing.



| Output Backlash j | Part Numbers        | Output Backlash j AR | Gear Ratio i | Efficiency ηz | Nom. Output Torque | ≈ Thermal Rating | Reflected Inertia at Input |
|-------------------|---------------------|----------------------|--------------|---------------|--------------------|------------------|----------------------------|
| ≤0.166°           | Output Backlash j A | ≤0.066°              |              | n1nom         | S5 T <sub>2n</sub> | S1 kW            | kg·m <sup>2</sup>          |
| SBC-110-K-1       | SBC-110-K-1A        | SBC-110-K-1AR        | 1:1          | ≈ 98%         | 76Nm               | 6                | 7.07x10 <sup>-4</sup>      |

**Weight:** 10.2 kg.

**Nom. Input Speed [S5 T<sub>2n</sub>] n1nom:** 1,500 min<sup>-1</sup> (r/min)

**Max. Input Speed n1max:** 4,500 min<sup>-1</sup> (r/min)

**Shaft Seals:** Fluoro-Elastomer FPM ISO 1629 /FKM ASTM D141 H

**Lubrication:** Klubersynth GH 6-150 Fully Synthetic Polyglycol Oil.

**Lubrication Temperature:** Max. Operating ≈ 95°C.

**Max. Input Radial Load F<sub>r1</sub>:** 2000N.

**Max. Input Axial Load F<sub>a1</sub>:** 750N.

**Max. Output Radial Load F<sub>r2</sub>:** 2000N.

**Max. Output Axial Load F<sub>a2</sub>:** 750N.

Testing in your application is necessary.

You will need to assess duty cycles and confirm suitability with your own calculations.

Figures listed are for guidance only.

Lubrication filled with Klubersynth polyglycol GH6 synthetic high performance oil - not to be mixed with other types - VG ISO depends on speed/application.

Cooling may be needed dependent on application.

**Max Acceleration Torque T<sub>2b</sub>:** 1.5•T<sub>2n</sub> <1000 Cycles per 60min

**Emergency Stop Torque T<sub>2not</sub>:** 2•T<sub>2n</sub> <1000 Cycles in Lifetime

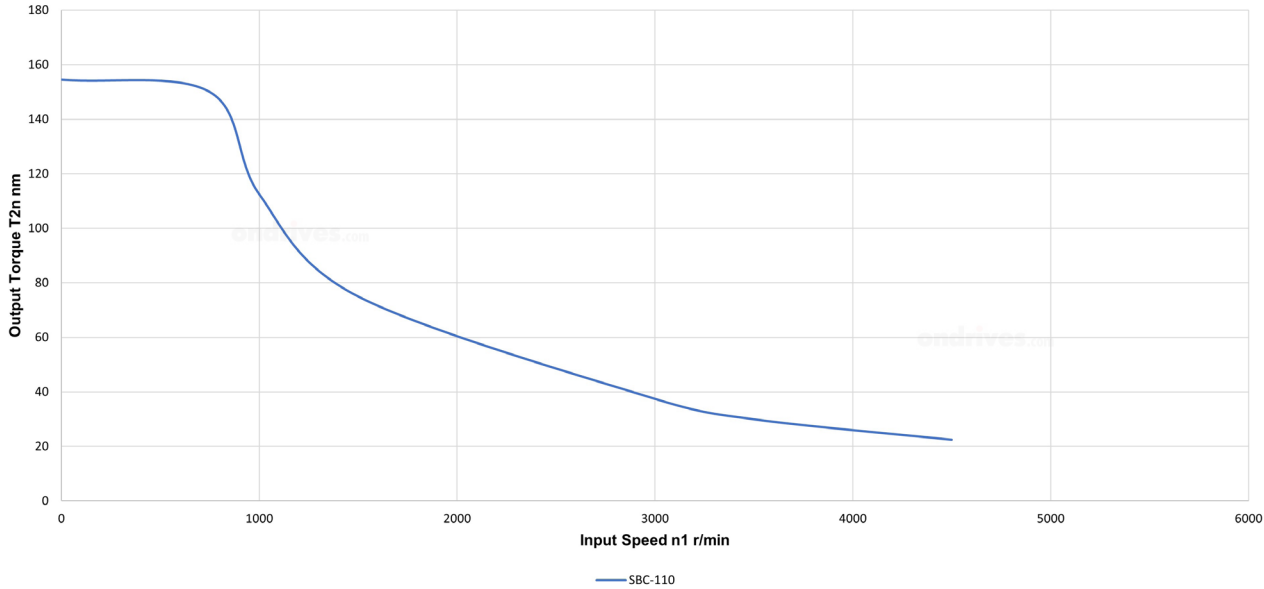
DIN 3990 ISO 6336 application factor K<sub>a</sub> needed for use guide.

Spiral Bevel Cube Gearbox

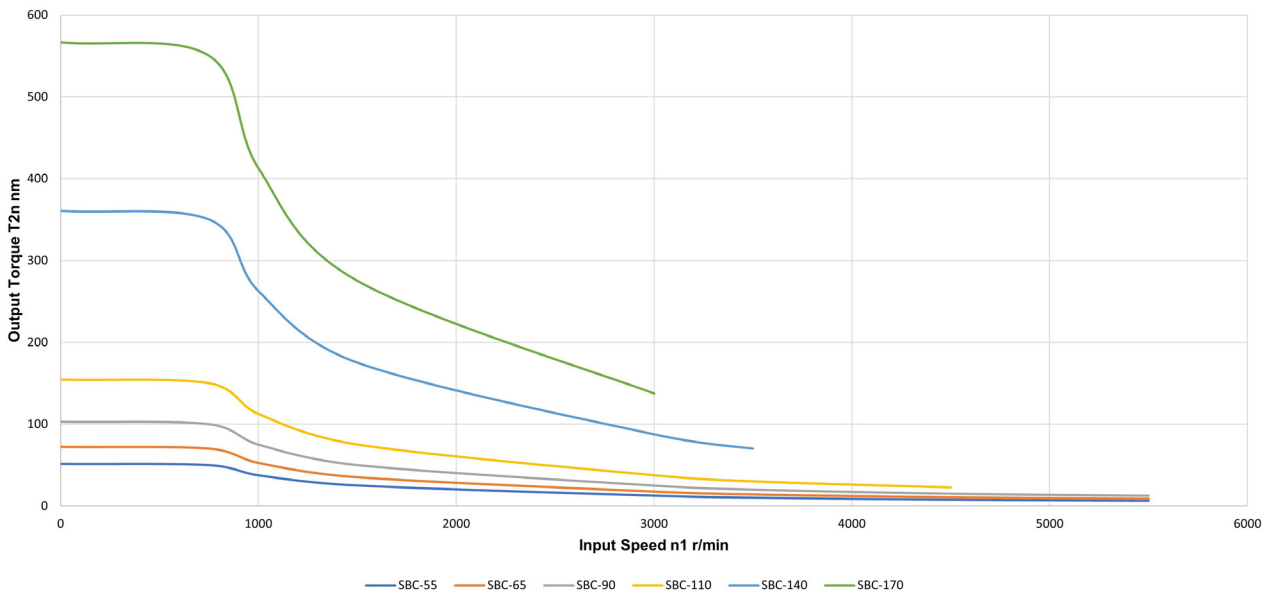
## Spiral Bevel 110mm Cube Gearboxes

22mm Input Shaft • 22mm Single Output Shaft •  $T_{2max}$  150Nm • 1:1

SBC Spiral Bevel Cube Gearbox



SBC Series Spiral Bevel Cube Gearboxes



Spiral Bevel Cube Gearbox